

HOT PRODUCTS APPAREL & ACCESSORIES

FUEL SYSTEMS
ENGINE/GASKETS
EXHAUST
DRIVE LINE HANDLING
ELECTRICAL
WATERLINE /BILGE
STEERING & CONTROLS
BODY
ACCESSORIES
SERVICE TOOLS /HARDWARE
CHEMICAL
FREESTYLE & 800SX
FOUR STROKE

CHECKERED FLAG TEE

White



Description Part No.
Checker Flag Tee 70-9008-XL

HOT RACING TEE

Navy



Description Part No.
Hot Racing Tee 70-9016-XL

TATTOO LOGO TEE

Charcoal



Description Part No.
Tattoo Logo Tee X-Large 70-9085-XL

VICTOR "SLASHER" SHELDON

MULTI CHAMPION TEE

Navy



Description Part No.
Victor Sheldon Tee X-Large 70-9086-XL

DEW DESIGN TEE

Green



Description Part No.
Dew Design Tee 70-9087-XL

MONKEY GRIP TEE

Tan



Description Part No.
Monkey Grip Tee 70-9050-XL

HP LOGO TEE

Yellow, Red



Description Part No.
HP Logo Tee, Yellow 70-9080XL
HP Logo Tee, Red 70-9081-XL

HOT ESTABLISHED 1985 TEE

Grey



Description Part No.
Established 1985 Tee 70-9088-XL
Sweat Shirt 70-9089-XL

SKULL TEE

Black



Description Part No.
Skull Tee 70-9100-XL

HOT PRODUCTS DIE CUT DECALS



Die Cut Decal Size	White	Black
4" x 16"	70-9151	70-9152
5" x 24"	70-9153	70-9154

Die Cut Decal Size	White	Black
3.5" x 12"	70-9132	70-9133
6.5" x 23"	70-9136	70-9137

HOT PRODUCTS BANNER



Hot Products Racing Banner. 10' wide by 3' tall. Outdoor vinyl with grommets to hang the Banner up. The Banner is bright red with white lettering.

Description	Part No.
Hot Product Racing Banner	Banner-Red

HOT PRODUCTS RACING IRON ON TRANSFER



Hot Products Racing Iron on Transfer logo. Create your own custom apparel with this easy to use iron on logo. Available in white and the logo is 7 1/2" wide by 2" tall.

Description	Part No.
Iron On Transfer (White)	



Description	Part No.
AP Box Tee Red	BT-004-L
AP Box Tee Red	BT-004-XL
AP Box Tee Yellow	BT-005-L
AP Box Tee Yellow	BT-005-XL
AP Box Tee Green	BT-006-L
AP Box Tee Green	BT-006-XL
AP Box Tee Blue	BT-007-L
AP Box Tee Blue	BT-007-XL

Description	Part No.
Flame Dutch T White	FD-022-L
Flame Dutch T White	FD-022-XL
Flame Dutch T White	FD-023-L
Flame Dutch T White	FD-023-XL



Description	Part No.
Strip Ringer Steel	SRT-008-L
Strip Ringer Steel	SRT-008-XL
Strip Ringer Brown	SRT-009-L
Strip Ringer Brown	SRT-009-XL

Description	Part No.
Spike Hoodie Gry	SH-011-L
Spike Hoodie Gry	SH-011-XL
Spike Hoodie White	SH-012-L
Spike Hoodie White	SH-012-XL



Description	Part No.
White Medium	MSD9450
White Large	MSD9451
White XL	MSD9452
Grey Medium	MSD9453
Grey Large	MSD9454
Grey XL	MSD9455



Description	Part No.
Wiseco 1941 Tee White	W5986L
Wiseco 1941 Tee White	W5986XL
Wiseco 1941 Tee Black	W5987L
Wiseco 1941 Tee Black	W5987XL

FUEL SYSTEMS
ENGINE/GASKETS
EXHAUST
DRIVE LINE HANDLING
ELECTRICAL
WATERLINE /BILGE
STEERING & CONTROLS
BODY
ACCESSORIES
TOOLS /HARDWARE
CHEMICAL
FREESTYLE & 800SXR
FOUR STROKE

QUAKYSENSE

QUAKYSENSE RIDER PANTS AND SHORTS

For performance racing and warm weather riding, these motocross inspired pants and shorts are a great alternative to wetsuits.

- Comfortable performance nylon outer shell construction
- Polyester mesh inner for water drainage and a comfortable fit
- Special stretch materials in knee area for maximum flexibility
- Durable performance design rubber knee and thigh pads
- Two side pockets
- Two ratchet waist closure
- Straight cut design is ideally suited for performance riding
- Splash resistant water tight shin (Rider Pants)
- Size: XS, S, M, L, XL, XXL



Description	Part No.
Red Rider Shorts	QSRs-0110-23-SIZE
Green Rider Shorts	QSRs-0110-70-SIZE
Black Rider Shorts	QSRs-0110-20-SIZE
Red Rider Pants	QSRP-0109-23-SIZE
Green Rider Pants	QSRP-0109-70-SIZE
Black Rider Pants	QSRP-0109-20-SIZE

Size	XS	S	M	L	XL	XXL
Waist (cm)	62-68	68-74	74-80	80-86	86-92	92-98
Waist (inches)	24.5-27	27-29	29-31.5	31.5-34	34-36	36-39

QUAKYSENSE GLOVES



Performance all-weather gloves with specially designed, anti-slip rubber forefinger prints for maximum grip and control.

- 2mm neoprene construction
- Molded and grooved rubber patch on backhand
- 2-ply synthetic leather padded palm and side panels for comfort, durability and superior grip
- 4-way stretch seams
- Neoprene wrist closure for comfort and sure fit
- Size: XS, S, M, L, XL, XXL

Description	Part No.
Red Gloves	QSG-0104-23-SIZE
Green Gloves	QSG-0104-70-SIZE
Black Gloves	QSG-0104-20-SIZE

QUAKYSENSE JET BOOTS

For performance riders and racers

- Removable 2mm inner neoprene sock for comfort riding
- One touch velcro closure system (1-3/8" width nylon strap loops through vinyl buckle with velcro at the end)
- Size: XS, S, M, L, XL, XXL



Description	Part No.
Jet Boot (Black)	QSB-0105-20-SIZE

Size	XS	S	M	L	XL	XXL
Jet Boot (cm)	24.5	25.5	26.5	27.5	28.5	29.5
Jet Boot (inches)	6.5	8	8.5	10	10.5	11



2006 WORLD FINALS
LAKE HAVASU, AZ
PHOTO COURTESY
OF JIN OMURA

QUAKYSENSE

QUAKYSENSE RASH GUARD

This stylish rash guard protects you from harmful UV sun rays and cuts wind-chill.

- Special cut design on the shoulder and bell make it more comfort fitting
- Lycra construction with 4-way seams for comfort
- Unisex applications with variety of sizes
- Available with long or short sleeves
- Size: XS, S, M, L, XL, XXL



Description	Part No.
Long Sleeve Rashguard (Black)	QSG-0106-20-SIZE
Short Sleeve Rashguard (Black)	QSGS-0106-20-SIZE

Size	XS	S	M	L	XL	XXL
Chest (cm)	79-90	90-100	100-110	110-120	120-130	130-140
Chest (Inches)	31-35.5	35.5-39.5	39.5-43.5	43.5-47	47-51	51-55

QUAKYSENSE TOUR COAT

This neoprene coat is ideal for use on cold days at the shore

- 3mm neoprene construction
- Hood with adjustable draw-cord
- Two side pockets
- Adjustable with 2" wide cuffs that seal with velcro
- 4-way stretch seams
- Unisex application with variety of sizes
- Back has zipper for comfort riding on PWC
- Tattoo design on sleeves and back
- Size: XS, S, M, L, XL, XXL



Description	Part No.
Tour Coat (Black)	QSC-0107-20-SIZE

Size	XS	S	M	L	XL	XXL
Height (cm)	157-165	163-172	169-177	175-182	180-188	186-192
Height (Inches)	5'2"-5'5"	5'4"-5'8"	5'7"-5'10"	5'9"-6'	5'11"-6'2"	6'1"-6'4"

'DRIPPING WET' THE HANGER FOR YOUR AQUATIC GEAR



DRIPPING WET HANGER

The Dripping Wet hanger is specifically designed for water sports enthusiasts, to provide optimum drying and storage of their wetsuit, booties, gloves, hood, and more.

Swivel hook • Solid polypropylene body
Channel structure • Durable • Strong

Description	Part No.
Dripping Wet Hanger	DWH-01



JET PILOT RACE GLOVE

JP5300

Black, Blue, Red, Yellow

SIZES: M, L, XL

- 1MM Ultra Thin Neoprene Construction
- Lycra Side Finger Stretch Gussets
- Rubberized Pro-Grip Panel
- Double Stitched High Stress Areas
- Icon Supertack PVC Finger Print
- Durable 2 Ply Padded Palm
- Adjustable Velcro/Rubber Wrist Closure
- Molded Rubber Finger Protection Patches
- Embossed Knuckle & Wrist Stretch Panels



YELLOW
JP5300-YW-M
JP5300-YW-L
JP5300-YW-XL



BLUE
JP5300-BU-M
JP5300-BU-L
JP5300-BU-XL



RED
JP5300-RD-L



Black
JP5300-BK-M

FUEL SYSTEMS
ENGINE/GASKETS
EXHAUST
DRIVE LINE HANDLING
ELECTRICAL
WATERLINE /BILGE
STEERING & CONTROLS
BODY
ACCESSORIES
SERVICE TOOLS /HARDWARE
CHEMICAL
FREESTYLE & 800SKR
FOUR STROKE



GOGGLE GRIP

- Aligns riders preferred goggle strap positioning on helmet
- Prevents strap from shifting or slipping off helmet
- Lift and Hold feature secures goggles under visor between rides
- Simply pinch and lift strap for easy removal
- Low-profile, concave design matches curvature of helmet
- Transparent VHB™ Peel & Stick application with alcohol prep pad



Description	Color	Part No.
Goggle Grip	Clear	70-4040
Goggle Grip	Black	70-4041
Goggle Grip	Silver	70-4042
Goggle Grip	Chrome	70-4043

BLUEYE eyewear



ATLANTIS NEW SPEC FLOATS

The quick and easy way to float your expensive glasses. Our Spec Floats have universal ends to fit all types of frames, from skinny to fat ones, just slide them on.

Description	Part No.
Purple	A2286
Yellow	A2291
Black	A2287
Red	A2292



BLUEYE SQUID WATERSPORTS SUNGLASSES

- Frame is made from TR90 Grilamide
- Rubber touch finish to the frame
- Polycarbonate UVA & UVB lenses offer maximum protection
- Lenses finished with a hydrophobic watershield coating
- Each pair of Squid comes with a floating leash
- Available with Smoke lens or Red Revo Smoke lens

Description	Part No.
Blueye Black Frame with Smoke Lens	SQUID-SMOKE
Blueye Black Frame with Red Revo Smoke Lens	SQUID-RED
Blueye Yellow Frame with Smoke Lens	SQUID-YW-SMOKE
Blueye Yellow Frame with Red Revo Smoke Lens	SQUID-YW-RED



LEG DEFLECTOR

Made in England

Description	Part No.
Leg Deflector	70-4012



LEG DEFLECTOR

Made with polycarbonate.
Made in Italy

Description	Part No.
Leg Deflector	1002RACE-02



ECONO TYPE BACK DEFLECTOR

Description	Part No.
Back Deflector (available in Black only)	70-4008



TELESCOPING PADDLES

Lightweight paddles adjust easily to variable lengths with a simple twist. A section of the aluminum shaft disappears inside the blade for the ultimate in compact storage under boat seats or in PWC storage compartments. 20-45 inch long.

Description	Part No.
Telescoping Paddle	P-1



DETACHABLE PADS

Constructed of soft foam with adhesive backed Velcro. Can be removed and re-applied by Velcro system. Pads for riding comfort.

Description	Part No.
Detachable Pad	1002PAD



HYDRO-TURF BACK SUPPORT

Great for racing, recreational riding or just working around the house! Light weight. Will not absorb water. Available in Black only.

Description	Part No.
Black S: 24-30	B20-BLK-S
Black M: 29-36	B20-BLK-M
Black L: 35-42	B20-BLK-L
Black XL: 41-48	B20-BLK-XL



RESCUE STREAMER DISTRESS SIGNAL

Patented Design Approved for U.S. Military & Coast Guard

This bright orange Streamer, visible from 1.3 miles away at 1,500 ft. altitude, leads Search and Rescue teams right to you. The patented high-strength polyethylene Streamer design, tested and used by the U.S. Military and Coast Guard, is marked with the international distress symbol. It features sealed air-filled struts that keep *RescueStreamer™* afloat on water and open on land to pinpoint your exact location to rescuers. *RescueStreamers™* start at the size of a cellular phone when stored and unroll in seconds! Always ready for use anywhere—land, water and snow. Does not require chemicals, batteries or electronics to signal continuously.

Description	Part No.
Rescue Streamer Distress Signal	RSDS-01



FUEL SYSTEMS	ENGINE/GASKETS	EXHAUST	DRIVE LINE HANDLING	ELECTRICAL	WATERLINE /BILGE	STEERING & CONTROLS	BODY	ACCESSORIES	SERVICE TOOLS /HARDWARE	CHEMICAL	FREESTYLE & 800SKR	FOUR STROKE
--------------	----------------	---------	---------------------	------------	------------------	---------------------	------	-------------	-------------------------	----------	--------------------	-------------



FLOATING WRIST LANYARDS

These old favorite lanyards have been redesigned so that they clip apart to be used as a wrist or a vest lanyard. They are the perfect lanyards to replace your factory one; they're made from polyurethane cord and they float. They come with our one hand easy slider.

Description	Black/ Black	Black/ Red	Purple/ Yellow	Yellow/ Purple	Black/ Silver	Black/ Blue	Green/ Purple
KPTW*	A2137	A2136	A2141	A2133	A2126	-	A2131
Yamaha	A8147	A8146	A8151	A8143	A8136	A8139	-
Sea Doo	A7467	A7466	A7471	A7463	A7480	-	-

*KPTW stands for: KAWASAKI, POLARIS, TIGERSHARK, WET JET



ULTRA VEST FLOATING LANYARDS

Our new improved standard lanyard now floats! Now an easy way to keep an extra lanyard close at hand.

Description	Black	Red	Yellow	Purple	Silver	Blue	Green
KPTW	A2109	A2103	A2097	A2106	A2096	A2107	A2101
Yamaha	A8130	A8123	A8133	A8128	A8134	A8129	-
Sea Doo	A7459	A7453	A7447	A7456	A7445	A7457	-

*KPTW stands for: KAWASAKI, POLARIS, TIGERSHARK, WET JET



SEA DOO DESS COMPATIBLE WRIST LANYARDS

Atlantis is proud to offer the only after market lanyards that are compatible with the Sea-Doo's DESS system. These lanyards fit all Sea-Doo watercrafts, Jet Boats, and Snowmobiles from 1996 to current (except '96 XP & GTI). Program with factory programmer.

Description	Black/Yellow	Purple/Yellow
Sea Doo DESS	A7473-DSC	A7471-UDC



SEA DOO DESS COMPATIBLE FLOATING LANYARDS

Description	Black	Red	Yellow
Sea Doo DESS	A7459-DES	A7453-DES	A7447-DES
Description	Purple	Silver	Blue
Sea Doo DESS	A7456-DES	A7445-DES	A7457-DES



PRO FLOATING WRIST LANYARDS

Our Pro floating lanyards have been used by the pros for years. They have been made of marine grade webbing, neoprene and Velcro material for strength, safety, and dependability. These lanyards will stay secure during the most strenuous riding, including racing. The whistle attaches and detached quickly.

Description	Black	Red	Yellow	Purple	Silver	Blue
KPTW	A2109-PFW	A2103-PFW	A2104-PFW	A2106-PFW	A2096-PFW	-
Yamaha	A8130-PFW	A8123-PFW	A8126-PFW	A8128-PFW	A8134-PFW	A8129-PFW
Sea Doo	A7459-PFW	A7453-PFW	A7447-PFW	A7456-PFW	A7445-PFW	-

*KPTW stands for: KAWASAKI, POLARIS, TIGERSHARK, WET JET





PRO FLOATING LANYARD WRIST BAND

Now available by itself, is our deluxe floating wristband made from marine grade webbing, neoprene, and Velcro. It attaches easily to any clip lanyard and gives the rider a sense of security he has been looking for.

Description	Black	Red	Yellow	Purple	Silver
Wristband	A2070	A2072	A2074	A2071	A2077



CLIP ON SAFETY WHISTLE

Description	Black	Red	Yellow	Purple
Clip On Whistle	A2700C	A2701C	A2706C	A2705C



PROWATERCRAFT LANYARD

This race inspired ProWATERcraft Lanyard, is a must have for all watercraft racers. The stock Yamaha lanyard has been the standard till now. ProWATERcraft Lanyard has a thicker stronger red cord, a metal fastener for the life vest, and added functional finger grip when snapping it back in on the rush. You don't want to get caught off guard wearing anything else. Quality, durability and function is what the pro's use. Fits: All Kawasaki, Yamaha, Honda, Polaris, Tigershark, Hydrospace..... Not Sea Doo. Available only in red.

Description	Part No.
Pro Watercraft Lanyard	PWCL-06



JET LOGIC ULTIMATE PWC SAFETY LANYARDS

The Ultimate PWC safety lanyard has it all! 3 keys to fit ALL brands: Sea Doo, Yamaha, Kawasaki, Polaris, Tiger Shark and Wet Jet. *Excluding the Sea Doo DESS System.

Description	Part No.
Yellow/Purple	UL-1
Black/Red	UL-2
Blue/Silver	UL-3



SHOP LANYARDS

Not legal for riding. For shop testing only. These can easily be attached to your belt while working on all PWC and jet boats.

Description	Part No.
KPTW, Yamaha, Sea Doo	A3240
KPTW, Yamaha, Sea Doo DESS	A3250



ECONOMY WRIST LANYARDS

Economy price lanyards.
For Sea Doo (Non-DESS) only.

Description	Part No.
Sea Doo Wrist Lanyard Purple/Green	WJ7094PU
Sea Doo Wrist Lanyard Green/Purple	WJ7094GR
Sea Doo Wrist Lanyard Blue/Green	WJ7094B

FUEL SYSTEMS
ENGINE/GASKETS
EXHAUST
DRIVE LINE HANDLING
ELECTRICAL
WATERLINE /BILGE
STEERING & CONTROLS
BODY
ACCESSORIES
SERVICE TOOLS /HARDWARE
CHEMICAL
FREESTYLE & 800SKR
FOUR STROKE

FUEL SYSTEMS
ENGINE/GASKETS
EXHAUST
DRIVE LINE HANDLING
ELECTRICAL
WATERLINE /BILGE
STEERING & CONTROLS
BODY
ACCESSORIES
SERVICE TOOLS /HARDWARE
CHEMICAL
FREESTYLE & 800SKR
FOUR STROKE

Atlantis®



ATLANTIS ANCHOR BAG

Our newly redesigned bag anchor is strong as ever but with bright new colors, rope, float, and hook. Just fill with rocks and sand for your anchoring needs. Fits easily into any storage compartment.

Description	Part No.
Anchor Bag (regular)	A2381



ATLANTIS STAKE ANCHOR

Needing an easy way to keep your personal watercraft tied to a shore? Here it is, just screw the stake into the ground and you have 15' to tether your boat to shore. Easy to store and take with you.

Description	Part No.
Stake Anchor	A2384



ATLANTIS NAVY ANCHOR W/BAG

This is the new hot set up for those needing an anchor without the hassles of carrying big heavy ones. Easily attaches to and anchors in any personal watercraft, comes with its own handy storage bag. This 2 1/2 lb. anchor is designed to be hand set.

Description	Part No.
Navy Anchor w/Bag	A2382



ATLANTIS LARGE ANCHOR BAG

This new bag is twice as large as our standard bag. It has sewn-in handles for ease in moving and emptying. Designed for 3 & 4 passenger PWC or mini-jet boats.

Description	Part No.
Large Anchor Bag	A2394



ATLANTIS DELUXE PWC SAND STAKE KIT

Need to anchor your PWC on a sandy beach. This is the way. Just screw it in and it is set. It will not pull out. Comes with cushioned travel bug.

Description	Part No.
Deluxe PWC Sand Stake Kit	A2391



ATLANTIS GALVANIZED 6 LB. ANCHOR KIT

The anchor will hold boats from 20' – 24'. It comes with the 4' of chain, 100' rope, shackle and a large storage bag all at a value price.

Description	Part No.
Galvanized 6 lbs Anchor	A2397



KWIK TEK COMPLETE FOLDING ANCHOR SYSTEM

3-1/3 Lb 4-fluke folding anchor and 25ft. long marine grade rope.

Description	Part No.
Complete Anchor System	A-2



20" DIAMETER BUOY

The affordable alternative! These durable 20" diameter inflatable buoys are perfect for marking anchors, moorings, hazards, swimming areas, or for setting up a personal watercraft or sailboat race course. They deflate quickly and easily for space efficient storage.

Description	Part No.
Yellow Buoy 20"	B-20Y
Red Buoy 20"	B-20R



PWC DOCK LINE

There is a 10" loop on the other end for attaching to dock cleats. Finished length is 7 feet. 2 per clam shell package.

Description	Part No.
PWC Dock Line	PWCP-2



BUNGEE DOCK LINES

Airhead Bungee Dock Lines absorb shock to boats, cleats, pylons and other hardware. The bungee cord is hidden inside the rope and acts as a built-in snubber. Two foam floats protect the boat from chafing. 4 feet, stretches to 5-1/2 feet.

Description	Part No.
Bungee Dock Line	AHDL-4



GIANT SNAP HOOK

Perfect for attaching ski lines, dock lines, tow lines, or any rope up to 1/2 inch diameter.

Description	Part No.
Giant Snap Hook	SH-5



25' POLYPRO ROPE

The ideal extra rope to carry for any purpose: Docking, anchoring & towing. 1325 lbs. strength. Great to have in any situation.

Description	Part No.
White	A1960
Yellow	A1961
Red	A1962
Blue	A1963



3" X 5" ROPE FLOAT

Need a way to mark an area? Need to float a rope for docking? Here is your answer, our easy to use rope floats. Fits up to a 1/2" diameter rope.

Description	Part No.
Red/White	A-1974
Blue/White	A-1975
Yellow/White	A-1976



DRAWSTRING MESH BAG

Size 20" x 30"

Description	Part No.
Drawstring Mesh Bag	69-1003



HYDRO-TURF DRY BOX

Keep your registration papers and small tools/supplies dry and safe. Actual product is black color only.

Description	Part No.
Dry Box 6" x 8.5"	BOX



WATERPROOF LINER

This durable and waterproof 19oz. vinyl dry bag with RF-welded seams, fits most PWD storage compartments. Fill it, roll down to fit the height of the storage compartment, then snap it shut. Locating packed items is easy with see-through material. Load it with beverages and ice and use it as a cooler! Size: 12" x 6" x 18".

Description	Part No.
Waterproof Liner Clear	SBL-1



"DRY PAK" DRY BAGS

Description	Part No.
9.5" Diam. x 16" Yellow	WB-1
11.5" Diam. x 19" Yellow	WB-4
12.5" Diam. x 28" Yellow	WB-7

FUEL SYSTEMS	ENGINE/GASKETS	EXHAUST	DRIVE LINE HANDLING	ELECTRICAL	WATERLINE /BILGE	STEERING & CONTROLS	BODY	ACCESSORIES	SERVICE TOOLS /HARDWARE	CHEMICAL	FREESTYLE & 800SKR	FOUR STROKE
--------------	----------------	---------	---------------------	------------	------------------	---------------------	------	-------------	-------------------------	----------	--------------------	-------------

FUEL SYSTEMS
ENGINE/GASKETS
EXHAUST
DRIVE LINE HANDLING
ELECTRICAL
WATERLINE /BILGE
STEERING & CONTROLS
BODY
ACCESSORIES
SERVICE TOOLS /HARDWARE
CHEMICAL
FREESTYLE & 800SXR
FOUR STROKE

VIEWTAINER

Made in the U.S.A



Description	Part No.
2" x 6" Red	CC26-RED
2" x 6" Blue	CC26-BLU
2" x 6" Green	CC26-GRN
2" x 6" Orange	CC26-ONG
2" x 6" Yellow	CC26-YLW
2" x 6" Black	CC26-BLK

VIEWTAINER

Ideal to keep your registration papers safe & dry. They are great to carry small tools/supplies, etc.



Description	Part No.
2.75" x 8" Red	CC27508-RED
2.75" x 8" Blue	CC27508-BLU
2.75" x 8" Green	CC27508-GRN
2.75" x 8" Orange	CC27508-ONG
2.75" x 8" Yellow	CC27508-YLW
2.75" x 8" Black	CC27508-BLK



ACCESSORIES ANODIZED ALUMINUM SPRING HOOKS

They are great for attaching key, phone, camera, tools and other light items to packs, belts, boats and tents. These are light duty, not for mooring, towing, climbing or hanging heavy objects.

Description	Part No.
4 Assorted Spring Hooks	SH-4A



DOC ALLEN'S VERSATOOL *The Swiss Army Knife of Hand Tools!*

- Lightweight • Compact
- Multi-Function • Stainless Steel
- Use in Tight Places

Description	Part No.
Compact Tool Set	VERSATOOL



DRY PAK GPS/PDA GAMEBOY CASE

- Convenient Stylus Holder
- 5" wide x 8" long
 - maximum circumference = 9in.

Description	Part No.
GPS/PDA/Gameboy Dry Pak Case	DP-58



SPARK PLUG HOLDERS

Spark Plug Holder protects the electrode, maintaining the proper gap.

Description	Part No.
2 per blister pack	SPH-2
40 per countertop display	SPH-40



DRY PAK MULTI-PURPOSE CASE

- 9" wide x 12" long
- 2 D-Rings sewn to corners
- Holds owner's manual, registration, snacks, maps, electronics

Description	Part No.
Dry Pak Case	DPC-912



HANDLEBAR PACK

Description	Part No.
Handlebar Pack	69-1002



PWC SADDLEBAG/COOLER

The two large compartments hold 24 12oz. cans and ice, or other belongings.

Description	Part No.
PWC Saddlebag/Cooler	69-1000



HEAVY DUTY TUBE ROPE

This heavy tournament quality 3/8" 16-strand braided tow rope is rated at 2375 lbs. tensile strength for 1 and 2 riders. 60 feet.

Description	Part No.
Deluxe Tube Rope	AHTR-60



4000LB TUBE ROPE

This heavy duty 9/16" x 60ft. tube rope is rated at over 4375 lbs. tensile strength for 3 and 4 riders.

Description	Part No.
4000lb Tube Rope	AHTR-4000



6000LB TUBE ROPE

This super strength 16 strand, 7/8 inch x 60 foot tube tow rope is rated at 6,000 pounds tensile strength! It's the strongest tube rope your money can buy, and is engineered to pull 5 or more riders.

Description	Part No.
6000 lb Tube Rope	AHTR-6000



WAKEBOARD ROPE

This wakeboard rope has a head turning 15 in. "Squid" patterned EVA grip wrapped around a floating aluminum core. The 5/16 inch, 16 strand, UV treated low stretch rope has 3 sections for wakeboarding at 45, 55 or 65 feet. Full length finger guards help create a comfortable split finger grip. A Rope Keeper is included for tangle-free storage.

Description	Part No.
Wakeboard Rope	AHWR-3



20' TOW ROPE

This 20 ft. tow rope has a heavy-duty carabiner at each end. The 12" long "soft hook" doubles as a rope wrap for neat storage. The 3/8" diameter rope is purple/yellow/red.

Description	Part No.
20' Tow-Rope	TR-20



WATER TOY TOW ROPE

This top quality 16 strand, 3/8" tow rope is 50 feet long.

Description	Part No.
Water Toy Tow Rope	WTR-50



STIK-A-FLAG™ SKIER DOWN FLAG

The bright orange 420 denier nylon skier down flag is mounted to a 24" flag. PWC's with Kwik Tek's giant 3-1/4" suction cup. Required in AZ, CA, CO, ID, MO, NE, NM, OR, TX, UT & WA. Recommended everywhere for safety.

Description	Part No.
Skier Down Flag	SAF-1



IMPELLER PROTECTOR & KICK-BACK PROTECTOR

Specially designed for use on a personal watercraft, this Jet Logic protector reduces the possibility of the tow/ski rope of being sucked up inside the PWC's pump and impeller. This protector also protects PWC passengers from tow/ski rope kicking back when the rider falls.

Description	Part No.
24" long for PWC	IP-24



TRANSOM MOUNT SKI TOW HOOK

Our transom-mount ski tow is made from highly polished 304 stainless steel. A full stainless steel back plate distributes pressure evenly to prevent gel coat crazing. Tows are supplied with stainless steel nuts and star lock washers.

Description	Part No.
3/8" stock, 2-1/2" diam 4" legs, 2-1/2" transom	59-3437

FUEL SYSTEMS	ENGINE/GASKETS	EXHAUST	DRIVE LINE HANDLING	ELECTRICAL	WATERLINE /BILGE	STEERING & CONTROLS	BODY	ACCESSORIES	SERVICE TOOLS /HARDWARE	CHEMICAL	FREESTYLE & 800SKR	FOUR STROKE
--------------	----------------	---------	---------------------	------------	------------------	---------------------	------	-------------	-------------------------	----------	--------------------	-------------

AIRHEAD® KWIK-CONNECT™

Conveniently attach and detach tube tow ropes to towables with AIRHEAD's KWIK-CONNECT. There's no need to thread 60 feet of rope through the tow strap each time you connect or disconnect a tow rope. The high impact KWIK-CONNECT has a 1 inch diameter hole to accept up to 6,000 lb. break strength tube ropes. Recommended for 1 to 4 rider towables that are not equipped with Kwik-Connects.



Description	Part No.
Kwik-Connect	AHKC-1

AIR DADDY™

AIR DADDY lets you get to the fun times more quickly! It allows you to inflate towables, swim toys, beach toys, inflatable boats, rafts, airbeds and sport balls with an air compressor at home or at a gas station. AIR DADDY is a universal adapter tapered to fit all valves found on inflatables, including all sizes of stem valves and Boston valves, Halkey-Roberts and Leaffield valves. The screw-on tip creates a high-pressure stream of air, perfect for workshops and garages. Soccer ball or football low on air? Stop by a gas station and use AIR DADDY's needle valve! Both the needle valve and high-pressure tip stow securely in the handle.



Description	Part No.
Air Daddy	AHAD-1

MULTI-VALVE

Inflate with Speed & Flexibility

The Airhead Multi-Valve consists of 2 Boston Valves with different thread patterns on the bottom of the Shrader Valve. One of the Boston Valves will fit your inflatable. Use the Shrader Valve to inflate quickly at a gas station or marina. Or, screw off the Shrader Valve and inflate the Boston Valve with a low pressure/high volume pump.



Description	Part No.
Multi-Valve	AHMV-1

AIRHEAD® AIR PUMP, 12V

This high-volume (290 liters / minute) 12-volt portable air pump deflates towables, boats, pools, mattresses and beach toys quickly and effectively. Most pumps on the market, even those costing twice as much, don't put out this kind of air pressure and volume (9.6 cu.ft./min., .8 psi). The universal valve fittings fit all popular valves. For added convenience, the cigarette lighter plug is equipped with a 10 ft. long power cord.



Description	Part No.
Airhead Air Pump, 12 V	AHP-12H

AIRHEAD® DOUBLE ACTION PUMP

Perfect For Topping off Towables

This pump delivers a continuous stream of air on both the up and down strokes. It quickly inflates and deflates tubes, airbeds, boats, toys and other inflatables. Four universal valve fittings are included. The accordion-style hose stretches to 5 ft. long and interlocks to the pump, so that it doesn't fall off while you're pumping. Capacity is approximately 68 gallons / 60 strokes. Especially great for topping off towables, since peak pressure is 14 psi.



Description	Part No.
Airhead Double Action Pump	AHP-1

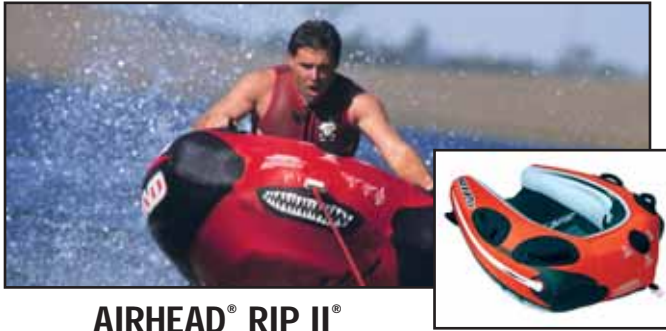
AZ-18 AQUA ZOOKA™

Soak your friends with AQUA ZOOKA! This easy to operate, quick filling bazooka is constructed of high-impact thermoplastics and will last for seasons of fun. Simply dip AQUA ZOOKA into the water and pull back on the handle to siphon water up into the barrel. You're ready to fire, with a range of up to 60 feet! AQUA ZOOKA's are equipped with comfortable EVA handles so that you won't lose your grip, even with wet hands in the heat of battle! The EVA handles also ensure that AQUA ZOOKA will float on top of the water. Doubles as a bilge pump!



Description	Part No.
AQUA ZOOKA 18"	AZ-18

AIRHEAD®



AIRHEAD® RIP II®

Carve turns with a tube? You can with RIP III. Simply lean in the direction you want to turn and pull on the opposite handle. The plastic fins sewn onto the side of the cover do the carving. RIP II is so much fun that you'll want to ride it all day long! You just might be able to, it's so easy to re-board with the open back design, and a feature that little ones and tired adults really appreciate. RIP II is fully covered with rugged 840-denier double-stitched nylon cover, making it torsionally rigid to respond to the rider's commands.

Description	Valve	Part No.
Airhead Rip II 1 rider	Multi-Valve	AHRI-2



AIRHEAD® BLAST®

You'll have a real blast on Airhead Blast! The 4 neoprene knuckle guards and deluxe nylon-covered handles provide a sure and comfortable grip. The heavy-duty virgin PVC bladder has a double stitched nylon cover, reinforced internal tow harness and a self-draining floor vent. You'll love the eye-catching graphics on this 1 rider 54" round towable!

Description	Valve	Part No.
Airhead Blast 1 rider	Boston Valve	AHBL-1



AIRHEAD® SURF™

Face it, stowing a tube on small boats, ski boats, and PWC's can be a hassle! We designed Surf with this watercraft in mind. Despite its small size, 50" x 40" x 6", Surf is big on performance. Sit on top or lie down, either way; you'll love the remarkably stable ride. Four deluxe handles with neoprene knuckle guards provide a great grip. SURF is equipped with a Boston Valve for fast inflating and deflating, 2 board straps and a drain vent.

Description	Valve	Part No.
Airhead Surf 50" x 40" x 6" 1 rider	Boston Valve	AHSU-1



IMPROVED

Tapered Profile



AIRHEAD® BIG SLICE®

You'll really slice up the water with this 60" diameter low profile towable! Peak performance is guaranteed with Slice's topside neoprene knuckle guards, an Airhead exclusive. The durable 30-gauge virgin PVC bladder is fully encased by a double-stitched nylon cover with a reinforced internal tow harness. Slice is equipped with a super-convenient Kwik-Connect for easy hook-ups and a Boston Valve for fast inflating and deflating. It's easy to climb onto Slice from the water; it's tapered to only 6 in. high at the back. Designed for 1 or 2 riders.

Description	Valve	Part No.
Airhead Slice 60" Round 1 or 2 riders	Boston Valve	AHSL-4

FUEL SYSTEMS	ENGINE/GASKETS	EXHAUST	DRIVE LINE HANDLING	ELECTRICAL	WATERLINE /BILGE	STEERING & CONTROLS	BODY	ACCESSORIES	SERVICE TOOLS /HARDWARE	CHEMICAL	FREESTYLE & 800SKR	FOUR STROKE
--------------	----------------	---------	---------------------	------------	------------------	---------------------	------	-------------	-------------------------	----------	--------------------	-------------

AIRHEAD®



AHMX-V2

AIRHEAD® MATRIX™ V-2 & V-3

AHMX-V3

Wow! The thrill rides of the century have arrived! If you want real heart stopping tubing action unlike anything you've experienced before, think Matrix. No expense was spared in Matrix's state-of-the-art construction. The durable RF welded virgin vinyl PVC bladder is completely wrapped in double-stitched 840-denier nylon. A heavy-duty Kwik-Connect provides easy hook-ups and the Airhead Multi-Valve provides the ultimate in inflation and deflation convenience. Join the matrix tubing revolution now! Patent pending.

Description			Valve	Part No.
Airhead Matrix	2 riders	80" x 64",	Multi-Valve	AHMX-V2
Airhead Matrix	3 riders	97" x 74",	Multi-Valve	AHMX-V3



AIRHEAD® G-FORCE

G-Force is a wild ride for up to 3 thrill-seekers! Defy centrifugal force with G-Force's topside stabilizers fins. The 6 deluxe nylon-wrapped handles with neoprene knuckle guards provide a sure and comfortable grip. G-Force has a tough 30-gauge virgin PVC bladder, fully covered with as 840-denier double-stitched nylon cover. G-Force is 72" x 62" and is equipped with a heavy-duty Kwik-Connect for easy and secure hook-ups. An Airhead Boston valve provides the ultimate in inflation and deflation convenience.

Description			Valve	Part No.
Airhead G-Force	3 riders	72" x 62"	Boston-Valve	AHGF-1



SPACE SHUTTLE MTC™ Doubles as a trailer!

MTC stands for Multi Towing Craft. This humongous and incredibly inflatable has a dual personality! Shuttle your coolers, beach chairs, skis, wake boards, gas cans, and other gear to your favorite beach inside Space Shuttle MTC, while you enjoy a comfortable boat or personal watercraft ride with your friends. Once you unload your gear onto the beach, you'll have the most exhilarating tube ride of your lives with plenty of room to stretch out. Space Shuttle MTC is 80" by 80" (deflated size) with 19" sidewalls. The rugged 30-gauge vinyl tube has an inflatable cushioned floor that drains to keep you and gear dry. The 840-denier double-coated nylon cover has a rear mesh drain vent and a double-reinforced towing harness. A cargo net is included to secure your gear. Eight deluxe handles with neoprene knuckle guards ensure a confident hold for up to four passengers.

Description			Valve	Part No.
Space Shuttle MTC	4 riders	80" x 80" x 19"	Boston-Valve	SS-1

MABLE SERIES

Designed for 2-3 riders, these towables have 2 tow points and multiple riding positions: kneeling, prone or seated with a comfortable backrest. The newest design that no one else has. The Mables feature foam seat/knee pads



SUPER MABLE

Description

Big Mable	69" (L) x 70" (W)
2 riders	175 cm (L) x 175 cm (W)
Super Mable	82" (L) x 83" (W)
3 riders	205 cm (L) x 210 cm (W)



BIG MABLE

Valve

Speed Safety Valve

Part No.

S53-2210



SUPER MABLE



MEGA BOWL



Description

Mega Bowl	68" (L) x 58" (W) x 26 (H)
	170 cm (L) x 145 cm (W) x 65 cm (H)

Valve

Speed Safety Valve

Part No.

S53-1840



SUMO TUBE

WEAR IT! STEER IT! ROLL IT! JUMP IT! The sumo tube is a new, exciting, and challenging freestyle towable that is not connected to the boat. The rider slides into the Sumo suit and holds onto a grab handle on the end of a 60' rope. The rider can roll 360s from left to right, jump the wakes, steer left and right by moving their arms, or just glide across the water's surface. It's a fast and fun bodysurfing thrill ride. The Sumo Tube can also be used in the crashing waves as a body surfing tube. The Sumo tube is one chamber and inflates quickly.

Description

Sumo Tube 1 rider	38"L x 33" Dia
-------------------	----------------

Valve

Speed Safety Valve

Part No.

S53-1805



**VALVE INFORMATION SHEET" (Speed safety valve, speed valve, Multi-valve, EZ Lock valve) available upon request

FUEL SYSTEMS	ENGINE/GASKETS	EXHAUST	DRIVE LINE HANDLING	ELECTRICAL	WATERLINE /BILGE	STEERING & CONTROLS	BODY	ACCESSORIES	SERVICE TOOLS /HARDWARE	CHEMICAL	FREESTYLE & 800SKR	FOUR STROKE
--------------	----------------	---------	---------------------	------------	------------------	---------------------	------	-------------	-------------------------	----------	--------------------	-------------



NEW HUNSAKER UTILITY JUGS

These Jugs are specifically designed for the on-the-go person. They dispense gas in 10 seconds or less. No time wasted when filling up with the Hunsaker quick-filling action. You can fill from either the vent side or the pour side. Excellent stability. They won't tip over. Includes a nylon hose attachment for flexibility and they're U.S. Patented.

Description	Part No.
5 Gallon Utility Jug	3055-5
11 Gallon Utility Jug	3011-11



DELUXE SIPHON PUMP

Deluxe Siphon Pump made with a heavy duty marine grades siphon bulb and gas resistant hose. This is the easy way to get a siphon started to drain your bilge or to transfer fuel from one place to another.

Description	Part No.
Deluxe Siphon Pump	59-0440



DAS PUMP FINGER TIP PUMP

Simple finger tip pump that removes water from your engine compartment and siphons gas. Includes length of hose to reach the depths of your engine compartment or gas tank.

Gets into the tightest places and is easy to use. Prevents corrosion and rusting to your engine due to condensation. "Das Pump"

Description	Part No.
DAS Pump	57-4045



CARBON TECH FUEL TAGS

Can't remember if you put oil in the gas? Get one of these fuel tags. These plastic tags state "unmixed" on one side and "mixed" on the other side.

Description	Part No.
Carbon Tech Fuel Tag	FT1



FILLER HOSE

Description	Part No.
Filler Hose Kit w/Screw Cap	59-3456



BILLET JUG BREATHER

Fits most 5-gallon utility jugs. Simple one touch operation. Pull to open, push down to shut off.

Description	Part No.
Blue	02-001
Red	02-002
Silver	02-003



WALL-MOUNT JUG RACK

Wall-mount for various applications. Works with most jugs. Durable white color finish.

Description	Part No.
Wall-Mount Jug Rack	WMS2W



HYDRO-TURF OIL EXTRACTOR

The unit uses a small vacuum system, which pumps fluid through a hose to the 6-liter reservoir. It also includes a pour spout to aid in emptying the reservoir. Pump is removable for easy storage.

Description	Part No.
Hydro-Turf Oil Extractor	OIL01



AC RACING BEACH STAND

Thick wall tubing and heavy gauge angle aluminum construction. Excellent durability. Not designed for use out of water.

Description	Part No.
2-Seater Craft	59-4005*
Stand-Up Craft	59-4000*

**Due to the size of this product it is not covered by the Hot Products shipping policy*



RULE FLAT TANK ELECTRIC OIL EXTRACTOR

Eliminate those costly yard service fees with the new quick, clean, compact electric oil extractor. Includes a 3-1/2 gallon compact self-priming diaphragm pump for extraction and an easy pour spout for oil transfer.

- 3.5 gallon (13 liter) leak proof container
- Designed for ease of carrying
- Complete with dipstick, suction tube & battery clamps
- Self-priming, dry running, 12 or 24 volt diaphragm pump
- Empties and stows easily

Description	Part No.
Electric Oil Extractor	17860-0012



Sit-down model shown

AC RACING PWC WORK STAND

- 5" swiveling caster wheels
- Aluminum box tubing
- Gray carpeted 2 x 4's

Not designed for use in water

Description	Part No.
High Profile for Stand-ups	03-0500*
Low Profile for Sit-downs	03-0600*

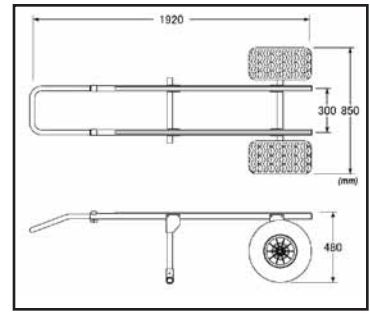
**Due to the size of this product it is not covered by the Hot Products shipping policy*

FUEL SYSTEMS	ENGINE/GASKETS	EXHAUST	DRIVE LINE HANDLING	ELECTRICAL	WATERLINE /BILGE	STEERING & CONTROLS	BODY	ACCESSORIES	SERVICE TOOLS /HARDWARE	CHEMICAL	FREESTYLE & 800SKR	FOUR STROKE
--------------	----------------	---------	---------------------	------------	------------------	---------------------	------	-------------	-------------------------	----------	--------------------	-------------



J-130S

BOX: H1530xW85xD60mm / 4kg,
H535xW350xD95mm / 7kg
TIRE: H475xW475xD510mm / 12kg



COMPACT 2-WHEEL TOTE STAND-UP

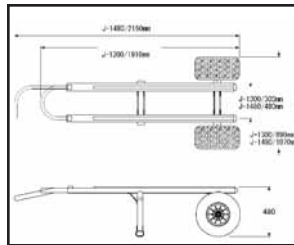
The best selling jet Launcher for Stand-Up Ski in Japan. Quick and easy assembly and disassembly that does not require any tools. No bolts and nuts. Just pull and push Hitch Pins and assembly and disassembly is complete in just minutes. A special angle handle design makes it easy to launch and load a stand up watercraft.

Description
Compact 2-Wheel Tote Stand-Up

Part No.
J-130S



J-1300



2-WHEEL TOTE STAND UP/SPORT CLASS

Extra strong and durable design with bolts and nuts assembly. This model is designed for Stand-up and Sport class watercraft. A special designed leverage function frame allows you easy launching and loading of watercraft, all by yourself.

BOX: H1635xW435xD165mm / 11.5kg TIRE: H475xW475xD510mm / 12kg

Description
2-Wheel Tote Stand-Up/Sport Class

Part No.
J-1300



J-1480

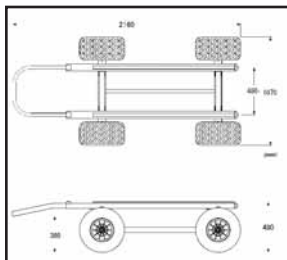
2-WHEEL TOTE RUNABOUT

Extra strong and durable design with bolts and nuts assembly. This model is designed for Runabout watercraft. A special angle handle design makes easy launching and loading of watercraft.

BOX: H165xW435xD165mm / 11.7kg, H640xW530xD90mm / 1.4kg
TIRE: H475xW475xD510mm / 12kg

Description
2-Wheel Tote Runabout

Part No.
J-1480



4-WHEEL TOTE 3 SEAT PWC

Extra strong and durable design with bolts and nuts assembly. This model is designed for the large 3 seat watercraft. Just load PWC onto tote and push across any and all surfaces.

BOX: H1635xW260xD170mm / 12.5kg, H640xW530xD90mm / 1.4kg
TIRE: H475xW475xD510mm / 12kg x 2



J-1480-4

Description
4-Wheel Tote 3 Seat PWC

Part No.
J-1480-4



LIFESLED FOR PWC RESCUE

Lifeguards and public safety agencies around the world are embracing an innovative rescue system that already has saved hundreds of lives, and promises to save thousands more in extreme rough water situations such as ocean storms, heavy surf, rip currents, flooding rivers and other life-threatening situations.

Non-Invasive hookup conveniently attaches LIFESLED to most any PWC without cumbersome rigging or drilling holes.



- ◆ LIFESLED is highly maneuverable. It barely affects low-speed motoring and increases the overall stability of the craft. There is no chance of windmilling or dumping of victim.
- ◆ Bullet-nose allows 45° fish-tail pivot off the PWC transom.
- ◆ 70/30 rails allow sufficient tracking for stability, and still allow the driver to 'break loose' for quick turns.
- ◆ Inexpensive, replaceable nose-guard protects the nose of the sled and the PWC transom.
- ◆ Overall size is sufficient for two adults yet still highly maneuverable. Weighs only 35 lbs.
- ◆ The Swallow-tail design enables easy victim centering when mounting in the water.
- ◆ Hook-up design allows the sled to be folded over the PWC when not in use.

Description	Part No.
Lifesled	W20018

We do not carry inventory of these items—special order only.



HONDA



YAHAMA



SEA DOO



FUEL SYSTEMS	ENGINE/GASKETS	EXHAUST	DRIVE LINE HANDLING	ELECTRICAL	WATERLINE /BILGE	STEERING & CONTROLS	BODY	ACCESSORIES	SERVICE TOOLS /HARDWARE	CHEMICAL	FREESTYLE & 800SXR	FOUR STROKE
--------------	----------------	---------	---------------------	------------	------------------	---------------------	------	-------------	-------------------------	----------	--------------------	-------------

FUEL SYSTEMS
ENGINE/GASKETS
EXHAUST
DRIVE LINE HANDLING
ELECTRICAL
WATERLINE /BILGE
STEERING & CONTROLS
BODY
ACCESSORIES
SERVICE TOOLS /HARDWARE
CHEMICAL
FREESTYLE & 800SXR
FOUR STROKE



SKEEKEEPER TIE DOWNS

Fits all PWC with 5/8" or 3/4" Bow Eyes.
Available in Single or Double Hook.

Description	Part No.
Single Hook	TS-60-BLK
Double Hook	TS-62-BLK



ANCRA WATERCRAFT TRAILER TIE DOWNS

Fits all PWC with 3/4" Bow Eyes.

Color	A. Double Hook Without Bow Eye Pin	B. Single Hook With Bow Eye Pin	C. Double Hook With Bow Eye Pin
	Purple	59-3404-PPL	59-3404-PPL-S
Pink	59-3404-PNK	59-3404-PNK-S	59-3404-PNK-D
Lime Green	59-3404-GRN	59-3404-GRN-S	



HOOK-IT TIE DOWN MOUNT

Patented hook retainer eliminates unhooking.
Provides a location to tie down your watercraft where you want it.

Description	Part No.
Hook-It Tie Down Mount	TS-65



YAMAHA TIE DOWN PIN

The tie down pin can be used to which your boat on your trailer, attach a docking line, attach anchor, or tie down your Yamaha. Just drop the pin in your front or rear bow eye.

Description	Part No.
Yamaha Tie Down Pin	59-3438



POWERTYE TIE DOWNS

Made from high quality 4500lb. test nylon strap with rubber coated hooks. Made in USA

Description	Part No.
Black	59-3425
Navy Blue	59-3428
Silver	59-3429



SKEEKEEPER BOW PIN

Fits any PWC trailer with a 5/8" bow coupler.

Description	Part No.
Bow Pin	TS67



BUNK MATES FOR TRAILERS

Bunk Mates are made from an exclusive material called TDS that helps your heavy PWC glide effortlessly on and off your carpeted trailer bunks. Bunk Mates come 6 pieces to a set. Strips are 12" long x 2" wide.

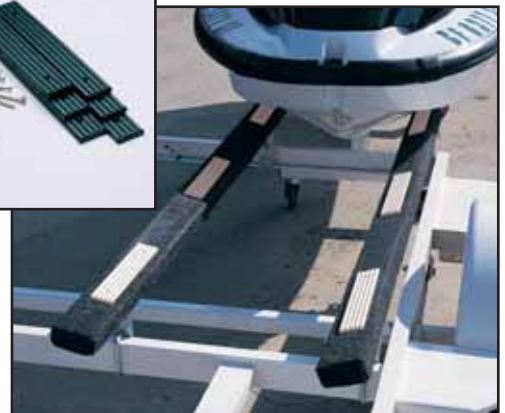
Description	Part No.
Black (Set of 6)	59-0202-BLK
White (Set of 6)	59-0202-White



SKEEKEEPER HITCH PIN

Fits any receiver-style hitch with a 2" insert.

Description	Part No.
Hitch Pin	TS68



STOLTZ BOW STOPS AND SUPER ROLLERS

Stoltz polyurethane rollers and bow stops have non-marking assurance built-in and will not put any marks on your boat. No more hard work cleaning your boat. Made in USA.



PWC-5A

Bow Stop

For PWCs with a vertical hole.
Fastens with "U" bolts. 3-1/2" Opening



**PWC-9
2" Bow Stop**

Fits 2" wide bracket for 1/2" shaft



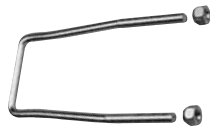
Made in U.S.A.



**RP-325
3" End Cap**

For 1/2" shaft

Descriptions	Part No.
PWC Bow Stop	PWC-5A
PWC 2" Bow Stop	PWC-9
1/2" Shaft 3" End Cap	RP-325



ECONOMY SPARE TIRE CARRIERS

- Fits most rim and tire combinations, from 8" through 15" and both 4 and 5-lug wheels.

Description	Part No.
Standard Carrier	WB-8050
Carrier With Lock	WB-8051



Plastic



Metal

LICENSE PLATE BRACKETS

- Choice of either plastic or metal license plate brackets.
- 1/4" mounting holes on 2" centers.

Description	Part No.
Plastic License Plate Bracket	WB-3211
Metal License Plate Bracket, Plated	WB-3213



4-WAY CONNECTORS WITH ELECTRIC WIRE HARNESS

- Wesbar harnesses conform to all applicable SAE, NMMA and TMA standards.
- Standard 4-way harnesses have an 18" ground wire except where noted.

4-Way Harness	Part No.
4' Trunk Connector	WB-007275
6' Trunk Connector	WB-007272
18" Trailer Connector—Wunside	WB-007285
18" Trailer Connector—Wishbone	WB-007286
25' Trailer Harness—Wishbone	WB-007261
25' Trailer Harness Kit—Wishbone /Connector	WB-007103
30' Trailer Harness Kit—Wishbone /Connector	WB-007104



TRUNK CONNECTOR

4-Way female connector mates with most standard flat 4-way plugs

Description	Part No.
4' Trunk Connector	WB-007275
6' Trunk Connector	WB-007272



TRUNK/TRAILER CONNECTOR SET

Includes 48" trunk and 18" trailer 4-Way connector

Description	Part No.
Trunk/Trailer Connector	WB-007270



SUBMERSIBLE TAIL LIGHT

Widely used by jet ski and boat trailer manufacturers, these multi-function submersible tail lights are designed to protect the bulbs and contacts when the trailer is under water during launching and loading. They employ a "trapped air" technique to keep water from the bulbs. The bulbs and lenses are easily replaceable. Closed bottom design prevents splashing water and road grit from entering the lamp and meets all applicable DOT regulations. The lights come with pre-installed wire leads and two 1/4" mounting studs on 2" centers.

Description	Part No.
Lens, Tail Lamp	WB-403335
Lens, Side Marker, Red	WB-003337
Lens, Side Marker, Amber	WB-003338
7-Function Tail Lamp , Submersible (LH)	WB-003023
6-Function Tail Lamp , Submersible (RH)	WB-003073



SEALED 2.5" ROUND CLEARANCE/MARKER LAMP WITH REFLECTOR

Sonically sealed lamp with Reflex reflector. Amber.

Description	Part No.
Amber SM/Clearance	WB-003385

FUEL SYSTEMS	ENGINE/GASKETS	EXHAUST	DRIVE LINE HANDLING	ELECTRICAL	WATERLINE /BILGE	STEERING & CONTROLS	BODY	ACCESSORIES	SERVICE TOOLS /HARDWARE	CHEMICAL	FREESTYLE & 800SXR	FOUR STROKE
--------------	----------------	---------	---------------------	------------	------------------	---------------------	------	-------------	-------------------------	----------	--------------------	-------------

FUEL SYSTEMS
ENGINE/GASKETS
EXHAUST
DRIVE LINE HANDLING
ELECTRICAL
WATERLINE /BILGE
STEERING & CONTROLS
BODY
ACCESSORIES
SERVICE TOOLS /HARDWARE
CHEMICAL
FREESTYLE & 800SXR
FOUR STROKE

VHF



ALESSANDER LENZI VOL. I VIDEO
71-0009



ALESSANDER LENZI VOL. 3 VIDEO
71-0008



ERIC "CYCLONE" MALONE VIDEO
71-0005



COASTAL RAGE JET ADDICTION VIDEO
71-0012



V JET WAVE CUP 2003 WORLD CHAMPIONSHIP
71-0016



CAMPEONATO BRASILEIRO DE JET SKI 2004
71-0018

DVD



WORLD FINALS 2004 WFDV04



2004 LENZI DVD
71-0020



THE ADDICTION
70-0030



RAMPT VOL. I
71-0013



WORLD FINALS 2006 WFDVD2006



ALL MY CRAZY FRIENDS III
AMCF3



WORLD FINALS 2005 WFDVD2005



A TWANGLED VIEW OF HAVASU III
70-0025



A TWANGLED VIEW OF HAVASU II
70-0021

SILVER ACCESSORIES OF KAWASAKI PWC

Description	Part No.
1) SXR	B-SA-SXR-BIG
2) STX-R	B-SA-STX-R
3) SX-R (small)	B-SA-SXR-SML

*929" Silver, Regular size 30mm, small size 18mm, chain is not included.

